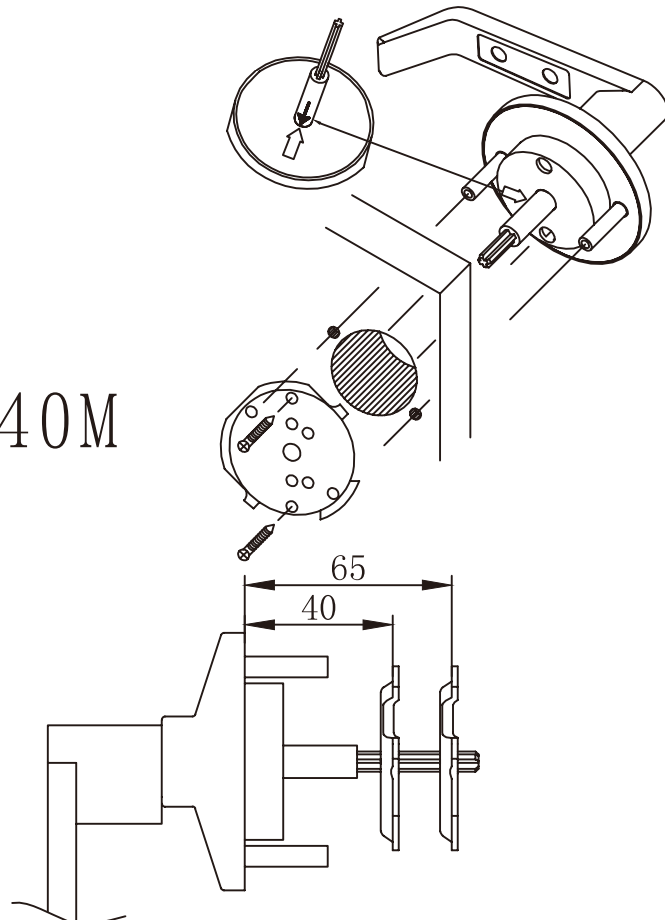


T840M INSTALLATION INSTRUCTION FOR TRIM OF PANIC EXIT DEVICE

WHEN YOUR DOOR OF HAS CYLINDRICAL LOCK CUT-OUT

T840M



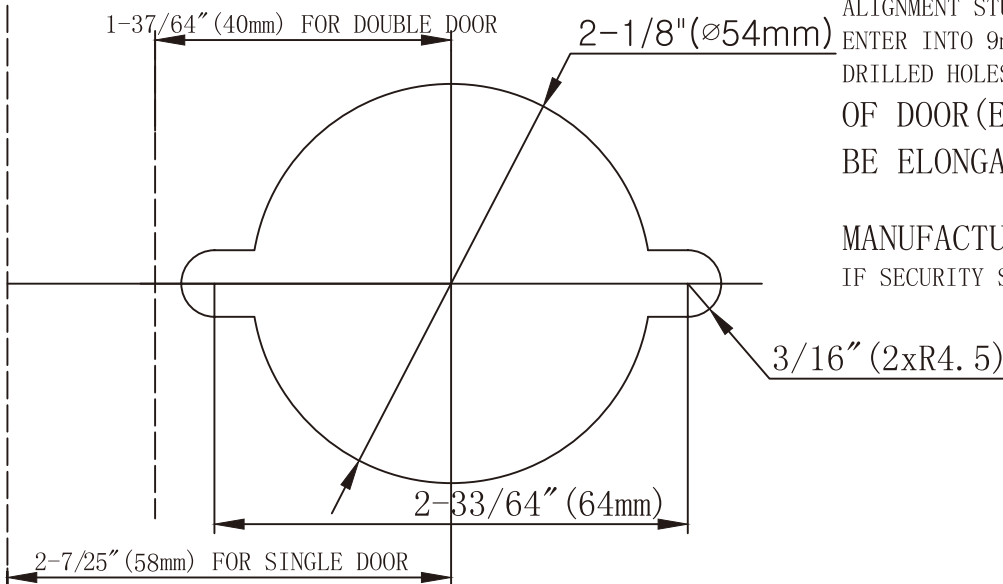
For a door thickness of 40mm-65mm

The length of the tailpiece can be cut to suit different door thickness.

TEMPLATE

FOR WOOD OR METAL DOOR
DRILL TWO 9mm holes on vertical
center line from outside of door

FOLD AND ALIGN TEMPLATE ON EDGE OF DOOR



NOTE:

IMPORTANT!

ALIGNMENT STUDS MUST
ENTER INTO 9mm FIELD
DRILLED HOLES ON OUTSIDE
OF DOOR (EXISTING SLOTS CAN
BE ELONGATED WITH A FILE).

MANUFACTURER'S WARANTEE INVALID
IF SECURITY STUDS ARE REMOVED.

PLACE TEMPLATE ON
HIGH EDGE OF BEVEL