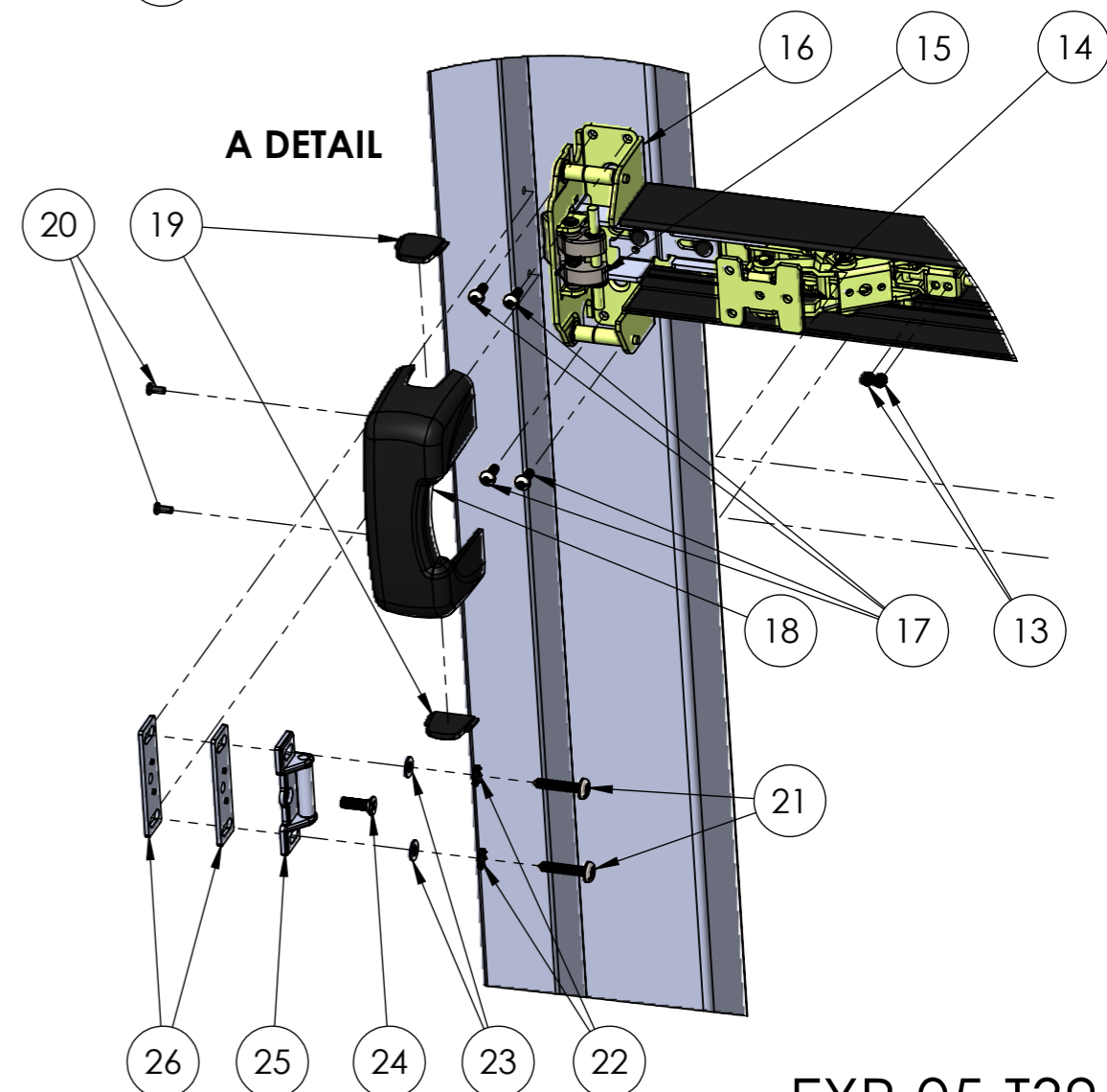


T391 PANIC EXIT DEVICE UL 305 (EXPLODED DIAGRAM)

26	SUPLEMENT STRIKE	METAL SHEET SAE 1010	BLUE ZINC PLATED	2
25	STRIKE	CAST AISI 304 STAINLESS STEEL	NATURAL	1
24	FIXING STRIKE WITH DOOR FRAME OR SECONDARY LEAF CENTER SCREW	COMMERCIAL COUNTERSUNK HEAD W3/16" x 5/8" OR PARKER #10 x 1"	BLUE ZINC PLATED	1+1
23	STRIKE FLAT WASHER	COMMERCIAL I.D.=5.3mm / O.D.=10.0mm / Thk.=0.8mm	YELLOW ZINC PLATED	2
22	STRIKE STAR-SHAPED WASHER	COMMERCIAL I.D.=5.3mm / O.D.=10.0mm / Thk.=0.6mm	YELLOW ZINC PLATED	2
21	FIXING STRIKE WITH DOOR FRAME OR SECONDARY LEAF SCREW	COMMERCIAL PARKER #10 x 1"	BLUE ZINC PLATED	2
20	FIXING CAP WITH HEAD	COMMERCIAL COUNTERSUNK HEAD M3 x 8	BLUE ZINC PLATED	2
19	CAP COVER	NYLON 66	BLACK OR GRAY	2
18	CAP	ZAMAK 5	ELECTROSTATIC PAINTING	1
17	FIXING HEAD WITH DOOR SCREW	COMMERCIAL PARKER #8 x 1/2"	BLUE ZINC PLATED	4
16	HEAD	METAL SHEET SAE 1010	YELLOW ZINC PLATED	1
15	LATCH BOLT	CAST AISI 304 STAINLESS STEEL	NATURAL	1
14	FRONT LEVER	METAL SHEET SAE 1010	YELLOW ZINC PLATED	1
13	FIXING LINKING ROD WITH LEVERS SCREW	COMMERCIAL ALLEN SETSCREW M5 x 6	BLACK BLUED	4
12	FIXING REAR LEVER & MOUNTING BRACKET WITH BACK BAR SCREW	COMMERCIAL ALLEN SETSCREW M5 x 5	BLACK BLUED	5
11	FIXING MOUNTING BRACKET WITH DOOR SCREW	COMMERCIAL PARKER #8 x 1/2"	BLUE ZINC PLATED	2
10	MOUNTING BRACKET	METAL SHEET SAE 1010	YELLOW ZINC PLATED	1
9	REAR LEVER	METAL SHEET SAE 1010	YELLOW ZINC PLATED	1
8	FIXING REAR BACK BAR CAP WITH REAR LEVER SCREW	COMMERCIAL COUNTERSUNK HEAD M3 x 8	BLUE ZINC PLATED	2
7	DOGGING SYSTEM	ZAMAK 5	NATURAL	1
6	REAR BACK BAR CAP	ZAMAK 5	ELECTROSTATIC PAINTING	1
5	REAR ACTIVE PUSH BAR CAP	NYLON 66	BLACK OR GRAY	1
4	FRONT ACTIVE PUSH BAR CAP	NYLON 66	BLACK OR GRAY	1
3	ACTIVE PUSH BAR	ALUMINUM PROFILE	ELECTROSTATIC PAINTING	1
2	LINKING ROD	SAE 12L14 STEEL	YELLOW ZINC PLATED	1
1	BACK BAR	ALUMINUM PROFILE	ELECTROSTATIC PAINTING	1
ELEMENT No.	PART. NAME	MATERIAL	FINISH	QTY

BILL OF MATERIAL (BOM)



EXP-05-T391