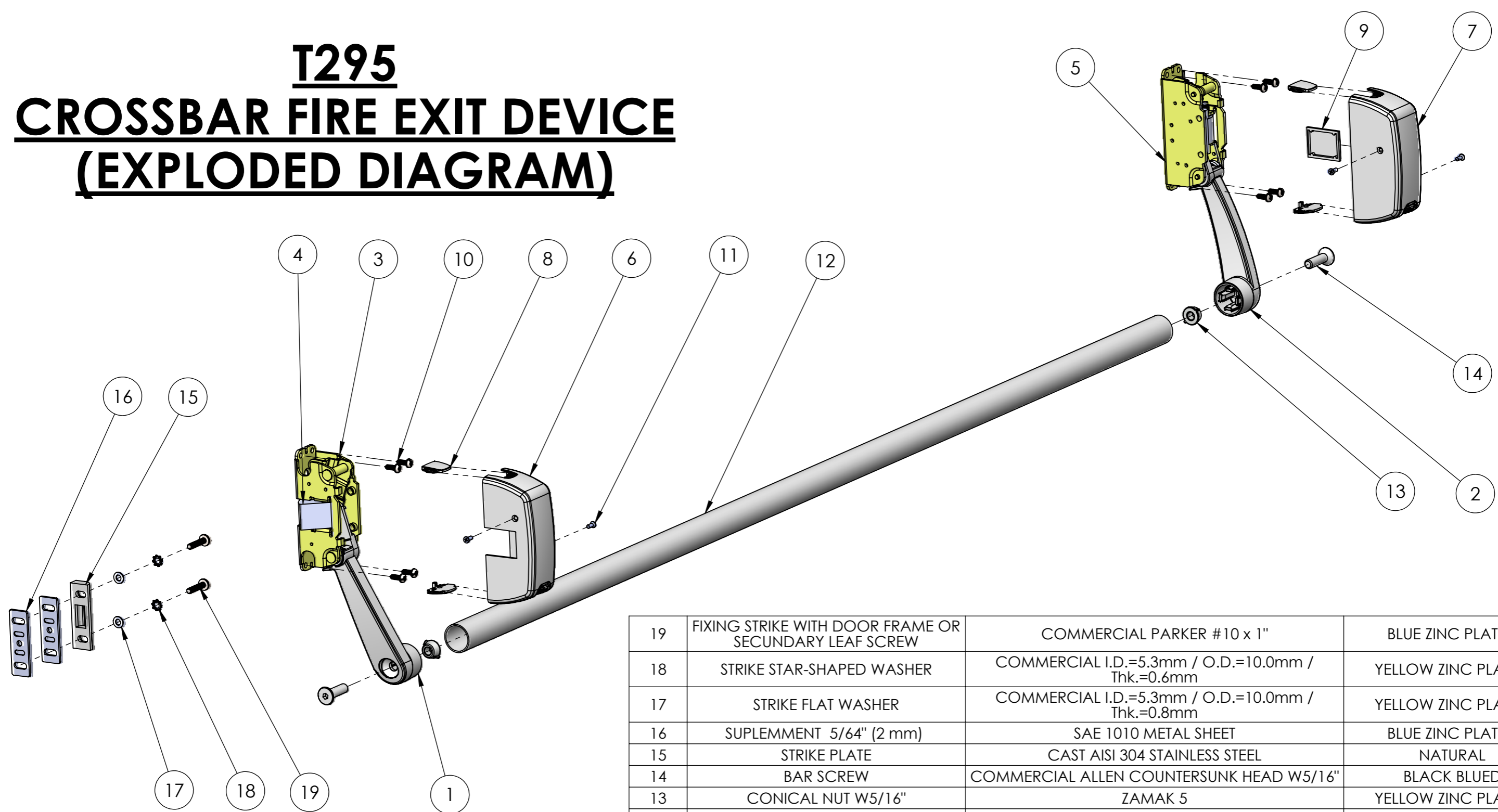


# T295 CROSSBAR FIRE EXIT DEVICE (EXPLODED DIAGRAM)



19	FIXING STRIKE WITH DOOR FRAME OR SECONDARY LEAF SCREW	COMMERCIAL PARKER #10 x 1"	BLUE ZINC PLATED	2
18	STRIKE STAR-SHAPED WASHER	COMMERCIAL I.D.=5.3mm / O.D.=10.0mm / Thk.=0.6mm	YELLOW ZINC PLATED	2
17	STRIKE FLAT WASHER	COMMERCIAL I.D.=5.3mm / O.D.=10.0mm / Thk.=0.8mm	YELLOW ZINC PLATED	2
16	SUPLEMENT 5/64" (2 mm)	SAE 1010 METAL SHEET	BLUE ZINC PLATED	2
15	STRIKE PLATE	CAST AISI 304 STAINLESS STEEL	NATURAL	1
14	BAR SCREW	COMMERCIAL ALLEN COUNTERSUNK HEAD W5/16"	BLACK BLUED	2
13	CONICAL NUT W5/16"	ZAMAK 5	YELLOW ZINC PLATED	2
12	BAR	ROUND SAE 1010 STEEL TUBE	ELECTROSTATIC PAINTING	1
11	CASE SCREWS	COMMERCIAL COUNTERSUNK HEAD M3 x 8	BLACK BLUED	4
10	CENTER CASE SCREWS (FIXING WITH DOOR)	COMMERCIAL PARKER #8 x 1/2"	BLUE ZINC PLATED	8
9	LATCH BOLT NYLON COVER	NYLON 6.6	NATURAL (BLACK OR GRAY)	1
8	CASE PLASTIC COVER	NYLON 6.6	NATURAL (BLACK OR GRAY)	4
7	RIGHT CASE	ZAMAK 5	ELECTROSTATIC PAINTING	1
6	LEFT CASE	ZAMAK 5	ELECTROSTATIC PAINTING	1
5	RIGHT CENTER CASE (HEAD)	SAE 1010 METAL SHEET	YELLOW ZINC PLATED	1
4	LATCH BOLT	CAST AISI 304 STAINLESS STEEL	NATURAL	1
3	LEFT CENTER CASE (HEAD)	SAE 1010 METAL SHEET	YELLOW ZINC PLATED	1
2	RIGHT LEVER ARM	ZAMAK 5	ELECTROSTATIC PAINTING	1
1	LEFT LEVER ARM	ZAMAK 5	ELECTROSTATIC PAINTING	1
<b>No.</b>	<b>PART. NAME</b>	<b>MATERIAL</b>	<b>FINISH</b>	<b>QTY</b>

EXP-11-T295

**BILL OF MATERIAL (BOM)**